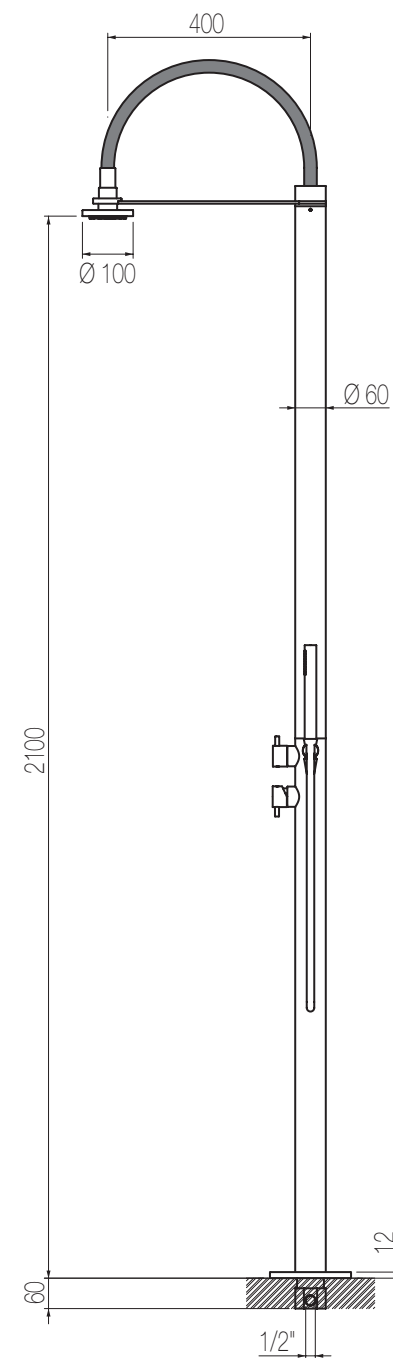
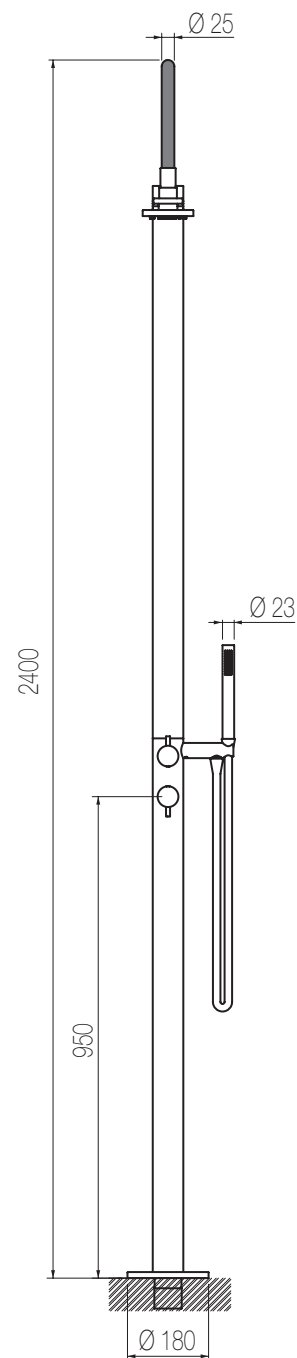
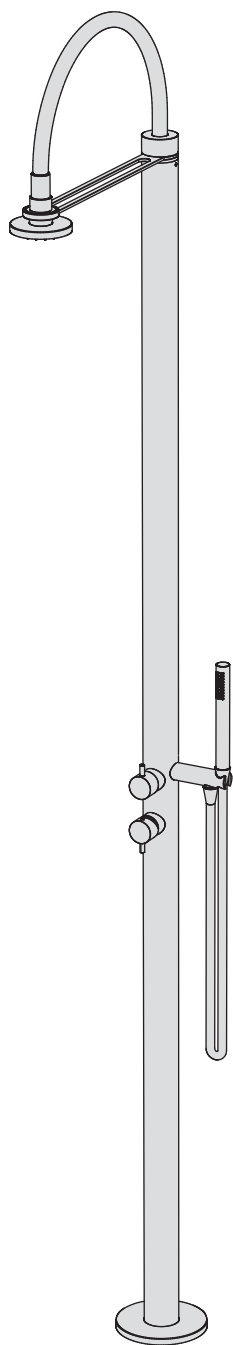


# WELLNESS

## Colonna per esterni

Colonna doccia per esterni  
Shower column for outdoors



Finiture / Finishing

Codice / Code

Prezzo / Price

Inox spazzolato / Brushed stainless steel

**COL1 S**

€

Inox lucido / Polished stainless steel

**COL1 L**

€

PORTATA MAX A 3 BAR (uscita libera)  
Max flow rate at 3 bar (free way out)

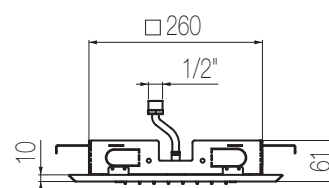
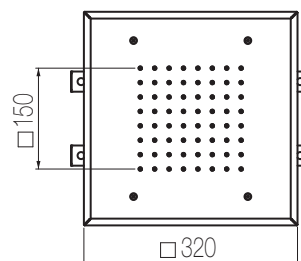
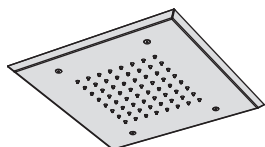
Way out

Lt/m **26,0**

# WELLNESS

## Piastre quadre Rado

Piastra inox 320x320 mm  
Stainless steel plate 320x320 mm



Portate massime libere  
Maximum free flow

BAR	1	2	3
Soffione / Showerhead			
Lt/m	11,0	17,0	22,0

Fornito con limitatore di portata a 15 lt/m sul soffione  
Supplied with a 15 lt/m flow reducer on rain shower

### Finiture / Finishing

Inox spazzolato / Brushed Stainless steel

Inox lucido / Polished stainless steel

### Codice / Code

**PIA50 S**

**PIA50 L**

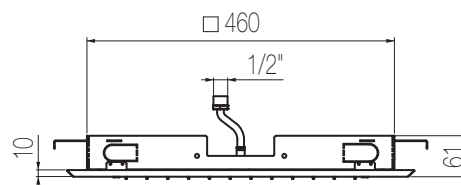
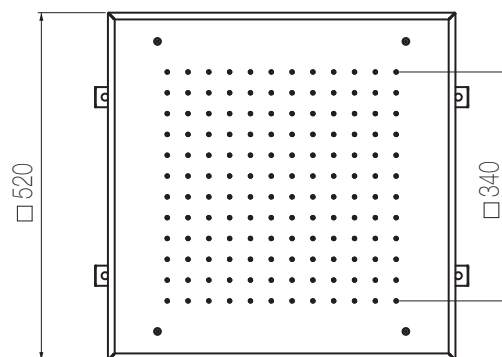
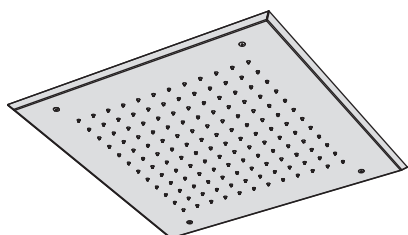
### Prezzo / Price

€

€

## Piastre quadre Rado

Piastra inox 520x520 mm  
Stainless steel plate 520x520 mm



Portate massime libere  
Maximum free flow

BAR	1	2	3
Soffione / Showerhead			
Lt/m	11,0	17,0	22,0

Fornito con limitatore di portata a 15 lt/m sul soffione  
Supplied with a 15 lt/m flow reducer on rain shower

### Finiture / Finishing

Inox spazzolato / Brushed Stainless steel

Inox lucido / Polished stainless steel

### Codice / Code

**PIA51 S**

**PIA51 L**

### Prezzo / Price

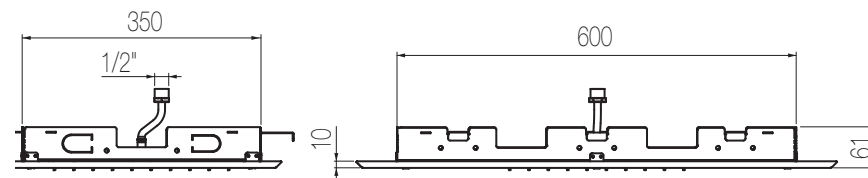
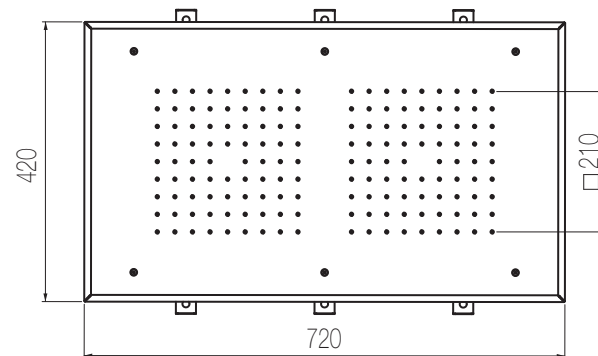
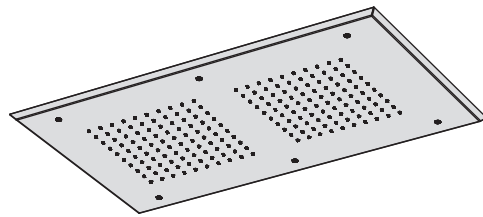
€

€

# WELLNESS

## Piastre quadre Rado

Piastra inox 720x420 mm  
Stainless steel plate 720x420 mm



Portate massime libere  
Maximum free flow

BAR	1	2	3
Soffione / Showerhead			
Lt/m	11,0	17,0	22,0

Fornito con limitatore di portata a 15 lt/m  
sul soffione  
Supplied with a 15 lt/m flow reducer on rain  
shower

### Finiture / Finishing

Inox spazzolato / Brushed Stainless steel

Inox lucido / Polished stainless steel

### Codice / Code

**PIA52 S**

**PIA52 L**

### Prezzo / Price

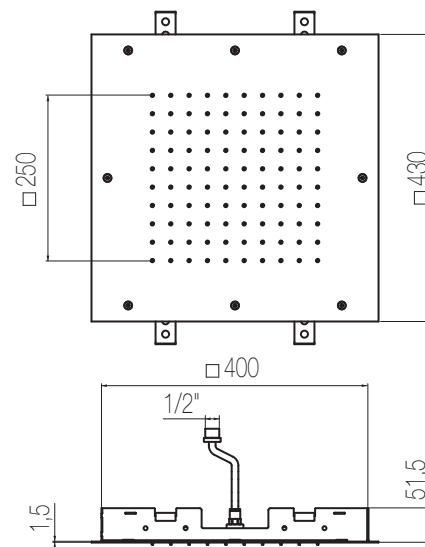
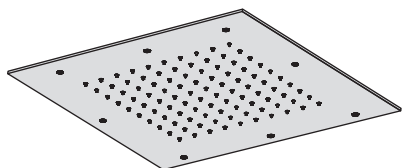
€

€

# WELLNESS

## Piastre quadre Tomo

Piastra inox 430x430 mm  
Stainless steel plate 430x430 mm



### Finiture / Finishing

Inox spazzolato / Brushed Stainless steel

Inox lucido / Polished stainless steel

### Codice / Code

**PIA1 S**

**PIA1 L**

### Prezzo / Price

€

€

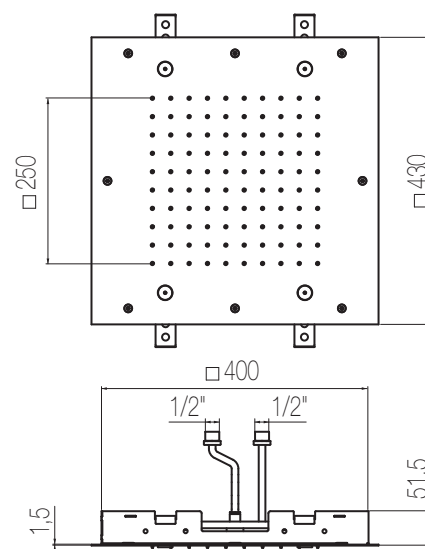
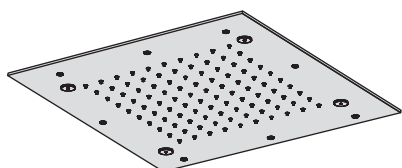
Portate massime libere  
Maximum free flow

BAR	1	2	3
Soffione / Showerhead			
Lt/m	11,0	17,0	22,0

**Fornito con limitatore di portata a 15 lt/m sul soffione**  
**Supplied with a 15 lt/m flow reducer on rain shower**

## Piastre quadre Tomo

Piastra inox 430x430 mm con nebulizzatori  
Stainless steel plate 430x430 mm with nebulizers



### Finiture / Finishing

Inox spazzolato / Brushed Stainless steel

Inox lucido / Polished stainless steel

### Codice / Code

**PIA2 S**

**PIA2 L**

### Prezzo / Price

€

€

Portate massime libere  
Maximum free flow

BAR	1	2	3
Soffione / Showerhead			
Lt/m	11,0	17,0	22,0
Nebulizzatore / Nebulizer			
Lt/m	1,6	2,0	2,5

**Fornito con limitatore di portata a 15 lt/m sul soffione**  
**Supplied with a 15 lt/m flow reducer on rain shower**

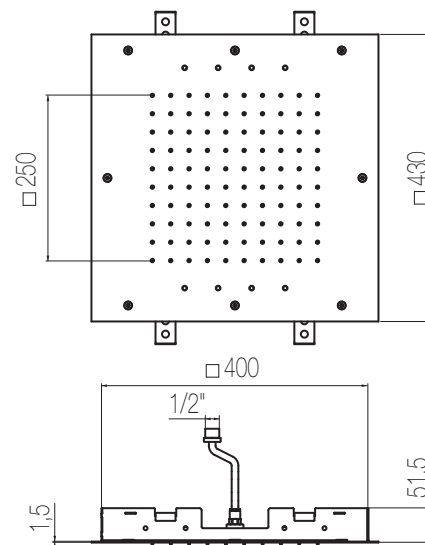
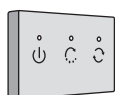
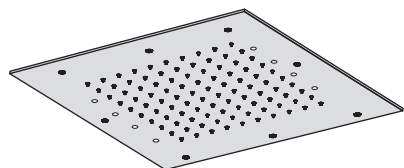
ATTENZIONE: abbinare a deviatore con almeno 2 vie. - ATTENTION: combine with at least a 2 outlets diverter.



# WELLNESS

## Piastre quadre Tomo

Piastra inox 430x430 mm con cromoterapia con comando remoto touch  
Stainless steel plate 430x430 mm with chromotherapy with touch remote control



### Finiture / Finishing

Inox spazzolato / Brushed Stainless steel

Inox lucido / Polished stainless steel

### Codice / Code

**PIA3 S**

**PIA3 L**

### Prezzo / Price

€

€

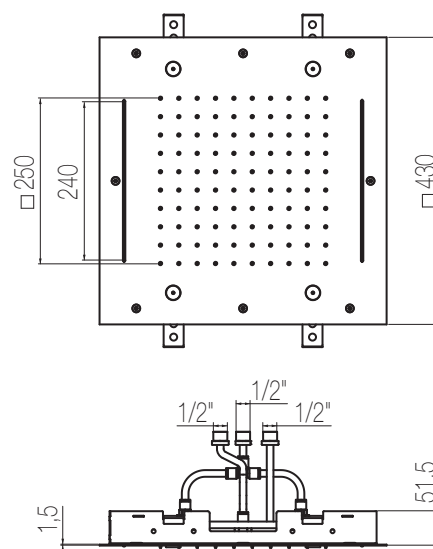
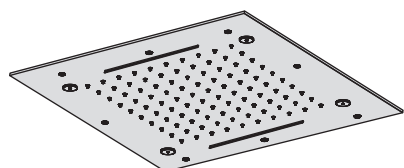
Portate massime libere  
Maximum free flow

BAR	1	2	3
Soffione / Showerhead			
Lt/m	11,0	17,0	22,0

**Fornito con limitatore di portata a 15 lt/m sul soffione**  
**Supplied with a 15 lt/m flow reducer on rain shower**

## Piastre quadre Tomo

Piastra inox 430x430 mm con 2 cascate e nebulizzatori  
Stainless steel plate 430x430 mm with 2 waterfalls and nebulizers



### Finiture / Finishing

Inox spazzolato / Brushed Stainless steel

Inox lucido / Polished stainless steel

### Codice / Code

**PIA4 S**

**PIA4 L**

### Prezzo / Price

€

€

Portate massime libere  
Maximum free flow

BAR	1	2	3
Soffione / Showerhead			
Lt/m	11,0	17,0	22,0

Singola cascata / Single waterfall  
Lt/m 11,0 16,5 21,0

Nebulizzatore / Nebulizer  
Lt/m 1,6 2,0 2,5

**Fornito con limitatore di portata a 15 lt/m sul soffione**  
**Supplied with a 15 lt/m flow reducer on rain shower**

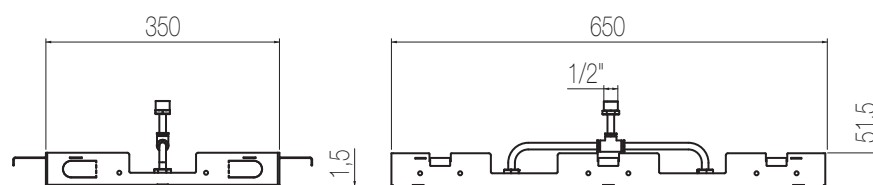
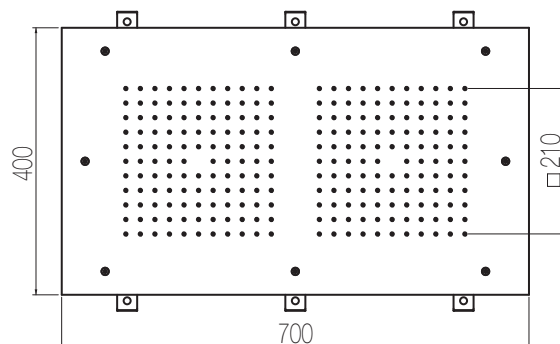
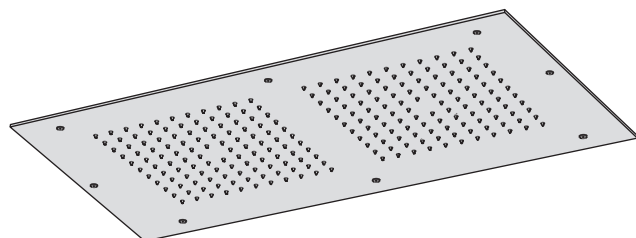
**Fornito con limitatore di portata a 9 lt/m sulla singola cascata**  
**Supplied with a 9 lt/m flow reducer on each single waterfall**

ATTENZIONE: abbinare a deviatore con almeno 3 vie. - ATTENTION: combine with at least a 3 outlets diverter.

# WELLNESS

## Piastre rettangolari Tomo

Piastra inox 700x400 mm  
Stainless steel plate 700x400 mm



Portate massime libere  
Maximum free flow

BAR	1	2	3
-----	---	---	---

Soffione / Showerhead

Lt/m	13,0	19,7	23,8
------	------	------	------

Fornito con limitatore di portata a 15 lt/m sul singolo soffione  
Supplied with a 15 lt/m flow reducer on each single rain shower

Finiture / Finishing

Inox spazzolato / Brushed Stainless steel

Inox lucido / Polished stainless steel

Codice / Code

**PIA5 S**

**PIA5 L**

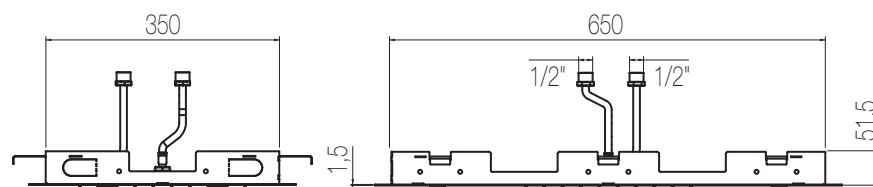
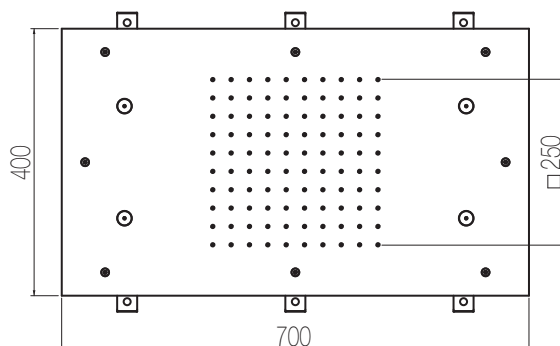
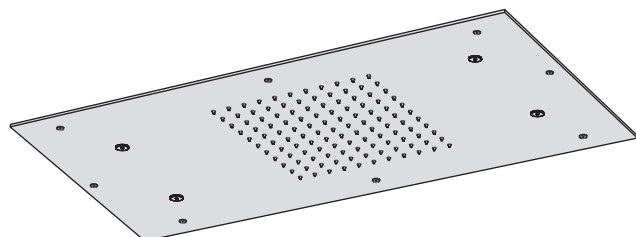
Prezzo / Price

€

€

## Piastre rettangolari Tomo

Piastra inox 700x400 mm con nebulizzatori  
Stainless steel plate 700x400 mm with nebulizers



Portate massime libere  
Maximum free flow

BAR	1	2	3
-----	---	---	---

Soffione / Showerhead

Lt/m	13,0	19,7	23,8
------	------	------	------

Nebulizzatore / Nebulizer

Lt/m	1,6	2,0	2,5
------	-----	-----	-----

Fornito con limitatore di portata a 15 lt/m sul soffione  
Supplied with a 15 lt/m flow reducer on rain shower

Finiture / Finishing

Inox spazzolato / Brushed Stainless steel

Inox lucido / Polished stainless steel

Codice / Code

**PIA6 S**

**PIA6 L**

Prezzo / Price

€

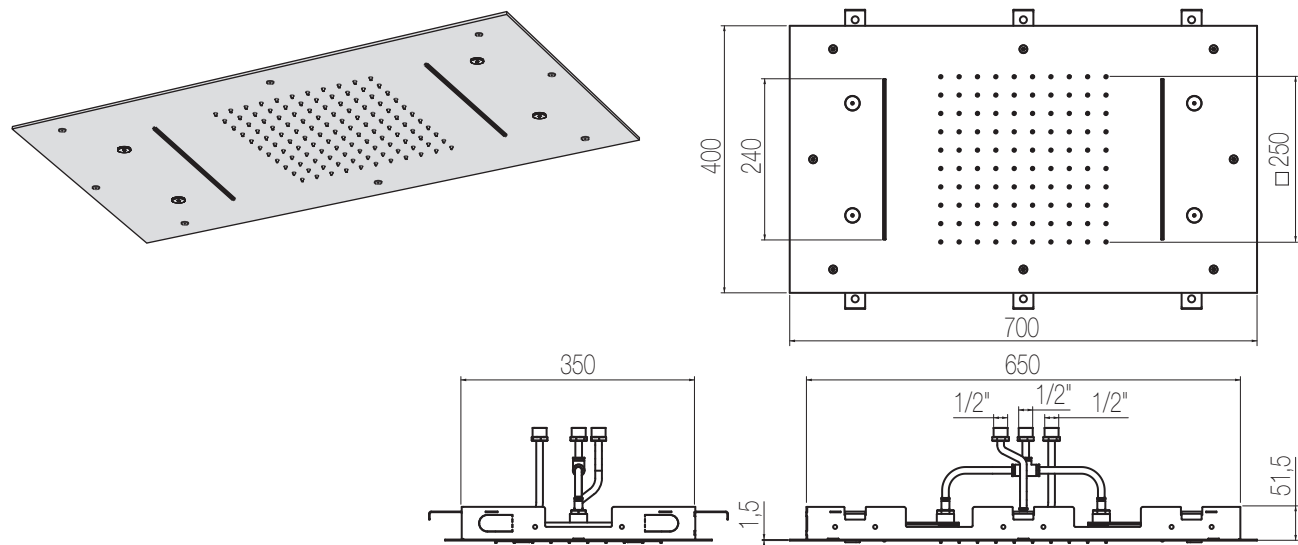
€

ATTENZIONE: abbinare a deviatore con almeno 2 vie. - ATTENTION: combine with at least a 2 outlets diverter.

# WELLNESS

## Piastre rettangolari Tomo

Piastra inox 700x400 mm con 2 cascate e nebulizzatori  
Stainless steel plate 700x400 mm with 2 waterfalls and nebulizers



Finiture / Finishing

Inox spazzolato / Brushed Stainless steel

Inox lucido / Polished stainless steel

Codice / Code

**PIA7 S**

**PIA7 L**

Prezzo / Price

€

€

ATTENZIONE: abbinare a deviatore con almeno 3 vie. - ATTENTION: combine with at least a 3 outlets diverter.

Portate massime libere  
Maximum free flow

BAR	1	2	3
-----	---	---	---

Soffione / Showerhead

Lt/m	13,0	19,7	23,8
------	------	------	------

Singola cascata / Single waterfall

Lt/m	11,0	16,5	21,0
------	------	------	------

Nebulizzatore / Nebulizer

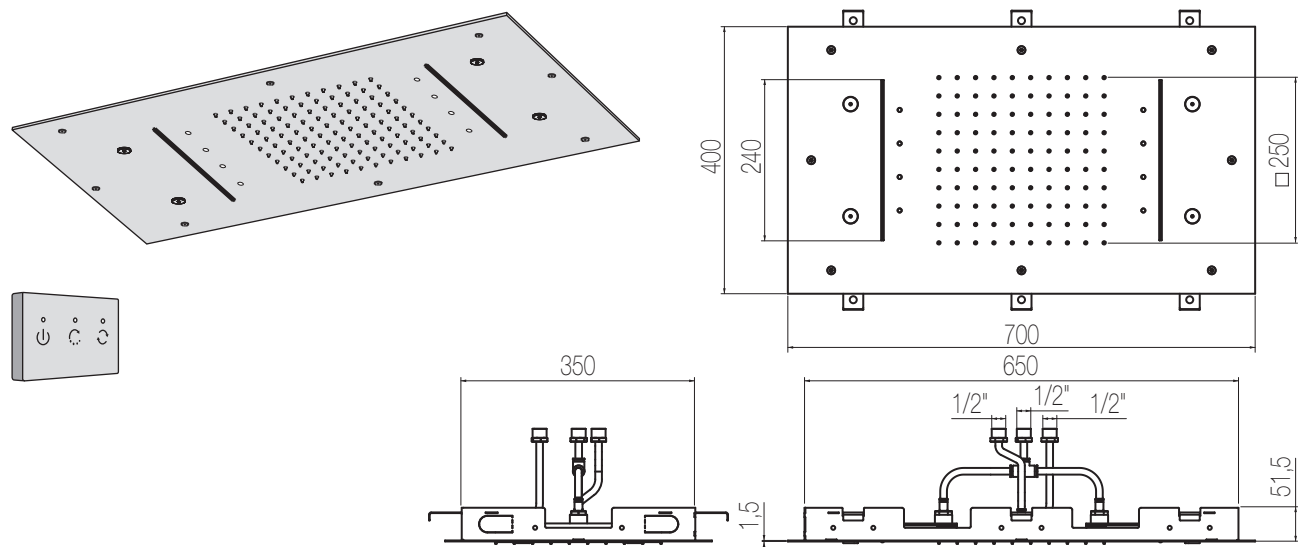
Lt/m	1,6	2,0	2,5
------	-----	-----	-----

Fornito con limitatore di portata a 15 lt/m sul soffione  
Supplied with a 15 lt/m flow reducer on rain shower

Fornito con limitatore di portata a 9 lt/m sulla singola cascata  
Supplied with a 9 lt/m flow reducer on each single waterfall

## Piastre rettangolari Tomo

Piastra inox 700x400 mm con 2 cascate, nebulizzatori e cromoterapia con comando remoto touch  
Stainless steel plate 700x400 mm with 2 waterfalls, nebulizers and chromotherapy with touch remote control



Finiture / Finishing

Inox spazzolato / Brushed Stainless steel

Inox lucido / Polished stainless steel

Codice / Code

**PIA8 S**

**PIA8 L**

Prezzo / Price

€

€

ATTENZIONE: abbinare a deviatore con almeno 3 vie. - ATTENTION: combine with at least a 3 outlets diverter.

Portate massime libere  
Maximum free flow

BAR	1	2	3
-----	---	---	---

Soffione / Showerhead

Lt/m	13,0	19,7	23,8
------	------	------	------

Singola cascata / Single waterfall

Lt/m	11,0	16,5	21,0
------	------	------	------

Nebulizzatore / Nebulizer

Lt/m	1,6	2,0	2,5
------	-----	-----	-----

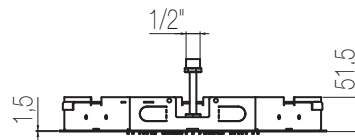
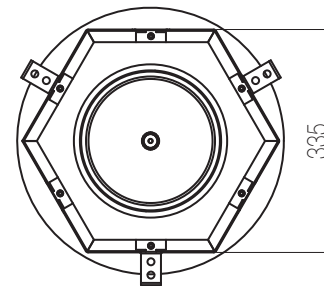
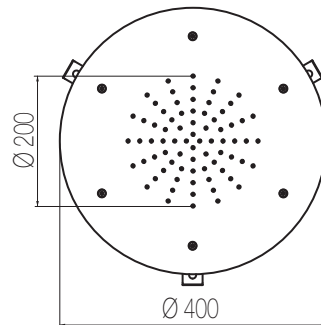
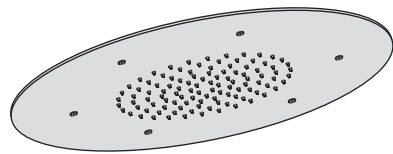
Fornito con limitatore di portata a 15 lt/m sul soffione  
Supplied with a 15 lt/m flow reducer on rain shower

Fornito con limitatore di portata a 9 lt/m sulla singola cascata  
Supplied with a 9 lt/m flow reducer on each single waterfall

# WELLNESS

## Piastre tonde Tomo

Piastra inox Ø 400 mm  
Stainless steel plate Ø 400 mm



### Finiture / Finishing

Inox spazzolato / Brushed Stainless steel

Inox lucido / Polished stainless steel

### Codice / Code

**PIA9 S**

**PIA9 L**

### Prezzo / Price

€

€

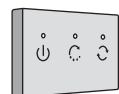
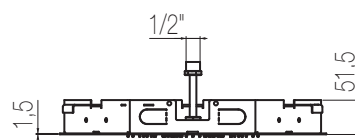
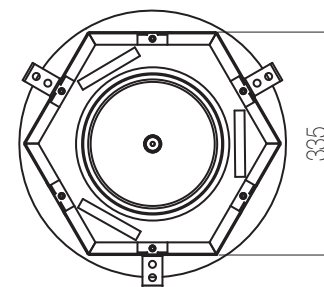
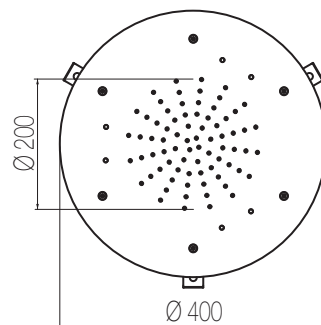
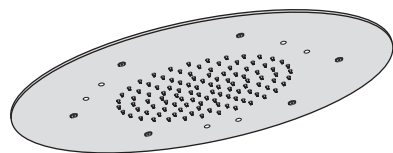
Portate massime libere  
Maximum free flow

BAR	1	2	3
Soffione / Showerhead			
Lt/m	10,5	16,0	20,0

Fornito con limitatore di portata a 15 lt/m sul soffione  
Supplied with a 15 lt/m flow reducer on rain shower

## Piastre tonde Tomo

Piastra inox Ø 400 mm con cromoterapia con comando remoto touch  
Stainless steel plate Ø 400 mm with chromotherapy with touch remote control



### Finiture / Finishing

Inox spazzolato / Brushed Stainless steel

Inox lucido / Polished stainless steel

### Codice / Code

**PIA10 S**

**PIA10 L**

### Prezzo / Price

€

€

Portate massime libere  
Maximum free flow

BAR	1	2	3
Soffione / Showerhead			
Lt/m	10,5	16,0	20,0

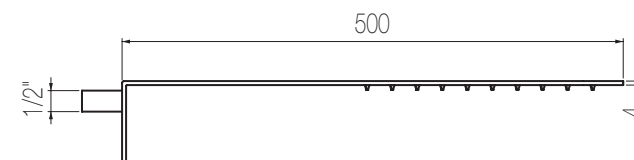
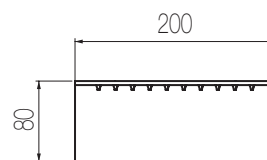
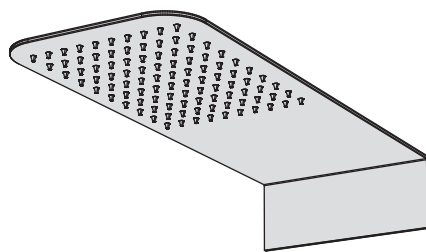
Fornito con limitatore di portata a 15 lt/m sul soffione  
Supplied with a 15 lt/m flow reducer on rain shower

# WELLNESS

## Soffioni rettangolari

### Soffione rettangolo Tomo a parete

Tomo rectangular wall shower head



BAR	1	2	3
Soffione / Showerhead			
Lt/m	11,0	17,0	22,0

#### Finiture / Finishing

Inox spazzolato / Brushed stainless steel

Inox lucido / Polished stainless steel

#### Codice / Code

**SOF5 S**

**SOF5 L**

#### Prezzo / Price

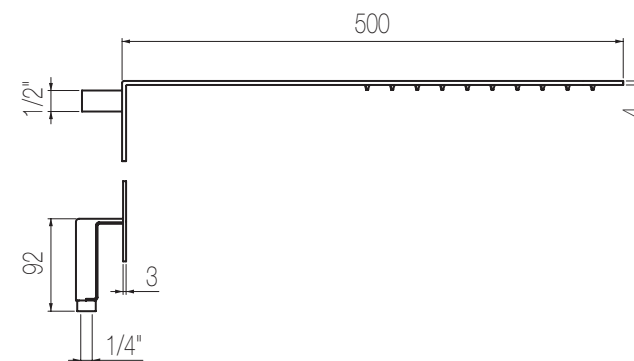
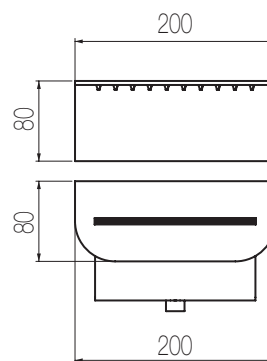
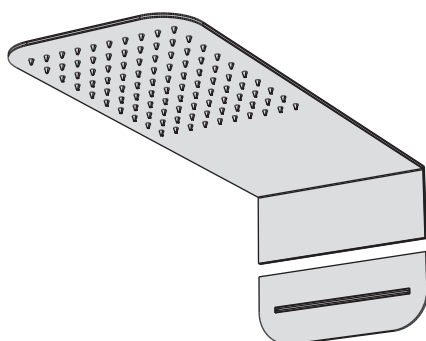
€

€

## Soffioni rettangolari

### Soffione rettangolo Tomo a parete con cascata

Tomo rectangular wall shower head with waterfall



BAR	1	2	3
Soffione / Showerhead			
Lt/m	11,0	17,0	22,0

#### Cascata / Waterfall

Lt/m	11,0	16,0	20,5
------	------	------	------

#### Finiture / Finishing

Inox spazzolato / Brushed stainless steel

Inox lucido / Polished stainless steel

#### Codice / Code

**SOF6 S**

**SOF6 L**

#### Prezzo / Price

€

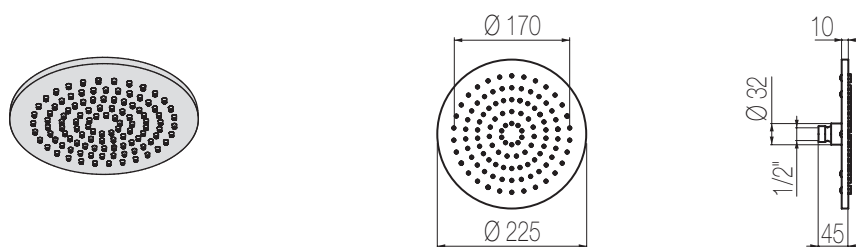
€

ATTENZIONE: abbinare a deviatore con almeno 2 vie. - ATTENTION: combine with at least a 2 outlets diverter.

# WELLNESS

## Soffioni Tomo

Soffione tondo ispezionabile Ø 225 mm spessore 10 mm  
Inspectionable round shower head Ø 225 mm thickness 10 mm

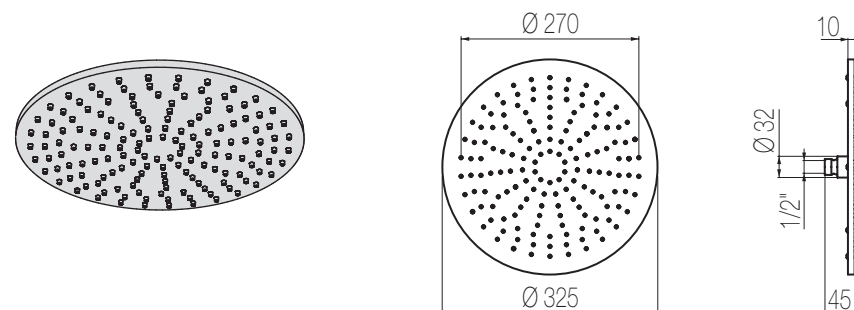


BAR	1	2	3
Soffione / Showerhead			
Lt/m	10,0	16,0	21,0

Finiture / Finishing	Codice / Code	Prezzo / Price
Inox spazzolato / Brushed stainless steel	<b>SOF1 S</b>	€
Inox lucido / Polished stainless steel	<b>SOF1 L</b>	€

## Soffioni Tomo

Soffione tondo ispezionabile Ø 325 mm spessore 10 mm  
Inspectionable round shower head Ø 325 mm thickness 10 mm

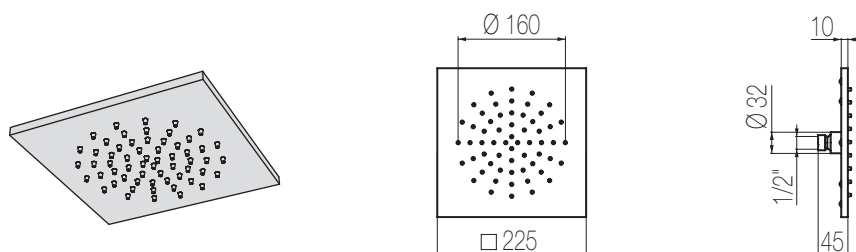


BAR	1	2	3
Soffione / Showerhead			
Lt/m	11,0	17,0	22,0

Finiture / Finishing	Codice / Code	Prezzo / Price
Inox spazzolato / Brushed stainless steel	<b>SOF2 S</b>	€
Inox lucido / Polished stainless steel	<b>SOF2 L</b>	€

## Soffioni Tomo

Soffione quadro ispezionabile 225x225 mm spessore 10 mm  
Inspectionable squared shower head 225x225 mm thickness 10 mm

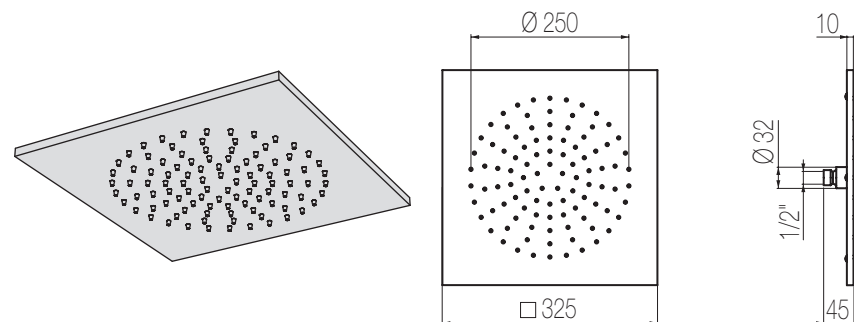


BAR	1	2	3
Soffione / Showerhead			
Lt/m	10,0	16,0	21,0

Finiture / Finishing	Codice / Code	Prezzo / Price
Inox spazzolato / Brushed stainless steel	<b>SOF3 S</b>	€
Inox lucido / Polished stainless steel	<b>SOF3 L</b>	€

## Soffioni Tomo

Soffione quadro ispezionabile 325x325 mm spessore 10 mm  
Inspectionable squared shower head 325x325 mm thickness 10 mm



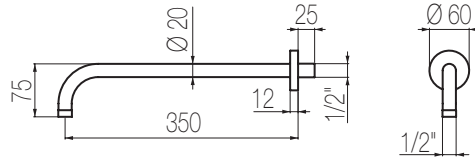
BAR	1	2	3
Soffione / Showerhead			
Lt/m	11,0	17,0	22,0

Finiture / Finishing	Codice / Code	Prezzo / Price
Inox spazzolato / Brushed stainless steel	<b>SOF4 S</b>	€
Inox lucido / Polished stainless steel	<b>SOF4 L</b>	€

# WELLNESS

## Braccio doccia

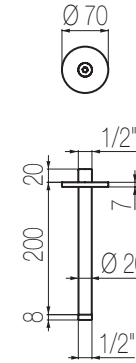
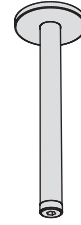
Braccio doccia a parete  
Waterfall spout



Finiture / Finishing	Codice / Code	Prezzo / Price
Inox spazzolato / Brushed stainless steel	<b>BRA1 S</b>	€
Inox lucido / Polished stainless steel	<b>BRA1 L</b>	€

## Braccio doccia

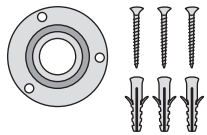
Braccio doccia a soffitto  
Ceiling shower arm



Finiture / Finishing	Codice / Code	Prezzo / Price
Inox spazzolato / Brushed stainless steel	<b>BRA50 S</b>	€
Inox lucido / Polished stainless steel	<b>BRA50 L</b>	€

## Bracci doccia

Kit di rinforzo per braccio doccia  
Reinforce kit for shower arm



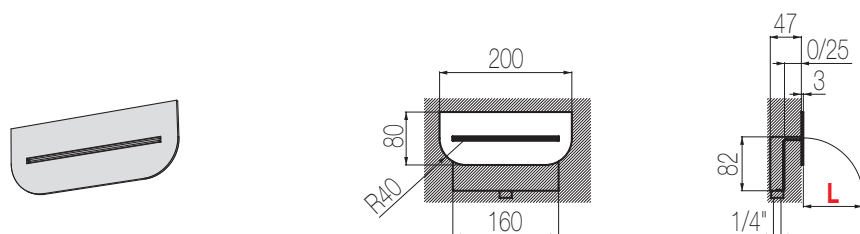
Finiture / Finishing	Codice / Code	Prezzo / Price
	<b>RIN1</b>	€

Obbligatorio per soffioni > ø = 300 mm - Mandatory with shower heads > ø = 300 mm

# WELLNESS

## Cascata

Bocca a cascata a parete  
Waterfall spout



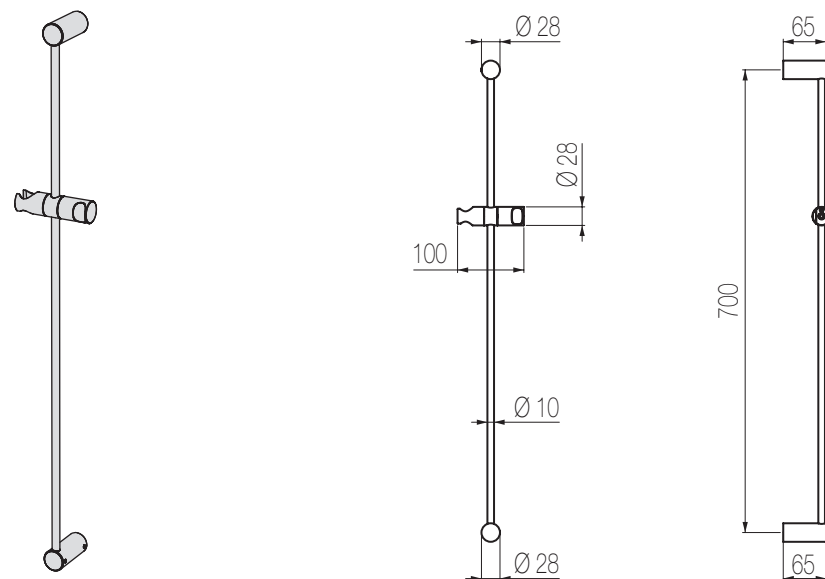
BAR	1	2	3
Cascata / Waterfall			
Lt/m	11,0	16,0	20,5

1 BAR	L = 22 cm
2 BAR	L = 26 cm
3 BAR	L = 30 cm

Finiture / Finishing	Codice / Code	Prezzo / Price
Inox spazzolato / Brushed stainless steel	<b>CAS1 S</b>	€
Inox lucido / Polished stainless steel	<b>CAS1 L</b>	€

## Asta saliscendi

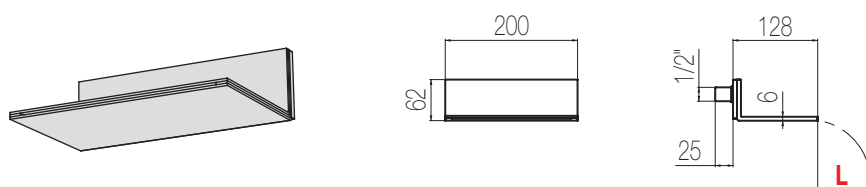
Asta saliscendi tonda  
Round shower bar



Finiture / Finishing	Codice / Code	Prezzo / Price
Inox spazzolato / Brushed stainless steel	<b>ASC1 S</b>	€
Inox lucido / Polished stainless steel	<b>ASC1 L</b>	€

## Cascata

Bocca a cascata a parete per doccia  
Waterfall spout for shower system



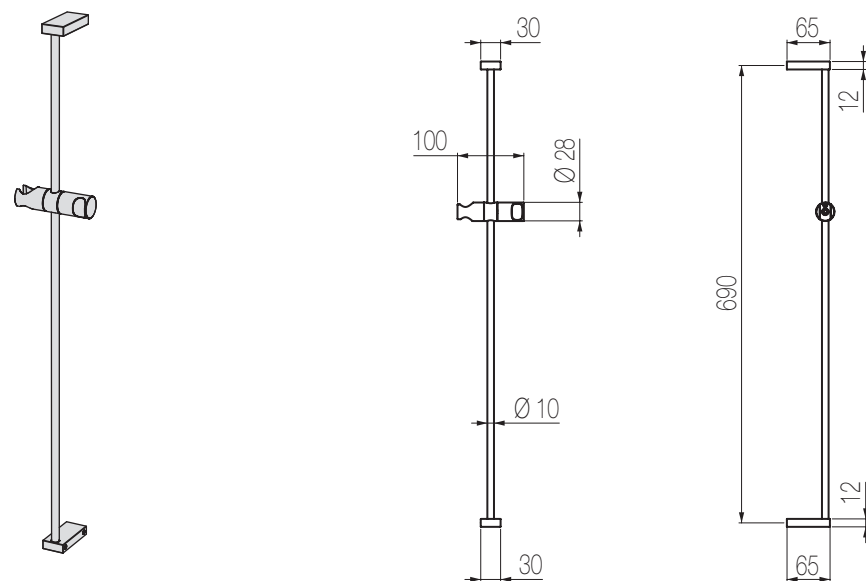
BAR	1	2	3
Cascata / Waterfall			
Lt/m	11,0	16,0	20,5

1 BAR	L = 2 cm
2 BAR	L = 4 cm
3 BAR	L = 8 cm

Finiture / Finishing	Codice / Code	Prezzo / Price
Inox spazzolato / Brushed stainless steel	<b>CAS2 S</b>	€
Inox lucido / Polished stainless steel	<b>CAS2 L</b>	€

## Asta saliscendi

Asta saliscendi quadra  
Squared shower bar



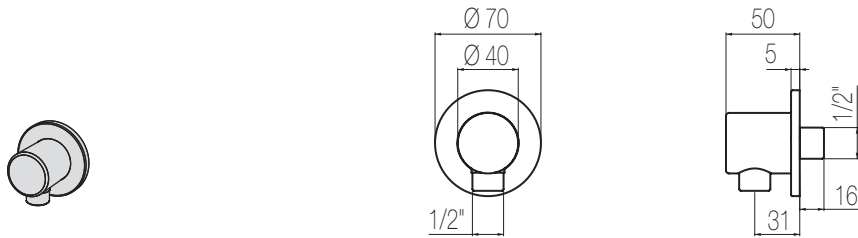
Finiture / Finishing	Codice / Code	Prezzo / Price
Inox spazzolato / Brushed stainless steel	<b>ASQ1 S</b>	€
Inox lucido / Polished stainless steel	<b>ASQ1 L</b>	€



# WELLNESS

## Presa acqua

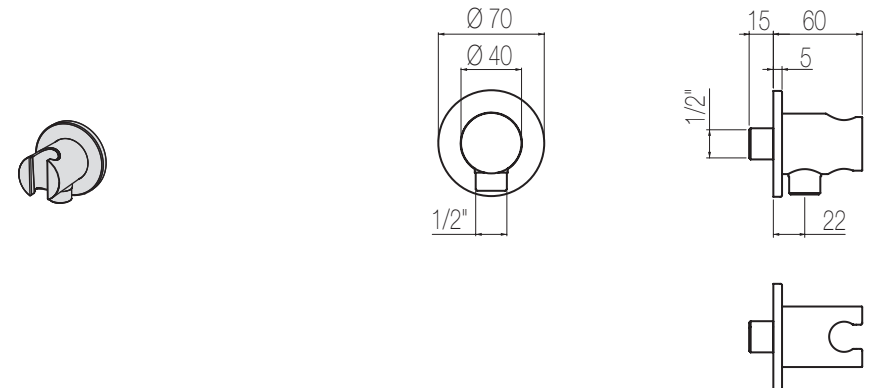
Preso acqua  
Water connection



Finiture / Finishing	Codice / Code	Prezzo / Price
Inox spazzolato / Brushed stainless steel	<b>PRE1 S</b>	€
Inox lucido / Polished stainless steel	<b>PRE1 L</b>	€

## Preso acqua con supporto

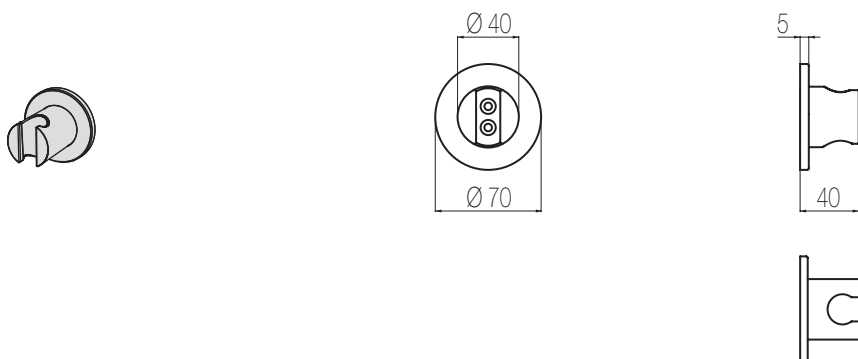
Preso acqua con supporto  
Water plug with holder



Finiture / Finishing	Codice / Code	Prezzo / Price
Inox spazzolato / Brushed stainless steel	<b>PRE2 S</b>	€
Inox lucido / Polished stainless steel	<b>PRE2 L</b>	€

## Supporto

Supporto per doccia  
Hand shower holder

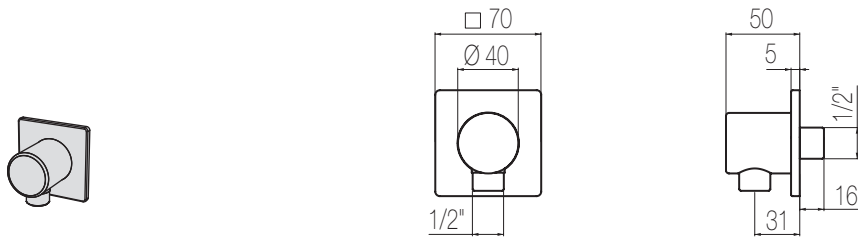


Finiture / Finishing	Codice / Code	Prezzo / Price
Inox spazzolato / Brushed stainless steel	<b>SUP1 S</b>	€
Inox lucido / Polished stainless steel	<b>SUP1 L</b>	€

# WELLNESS

## Presa acqua

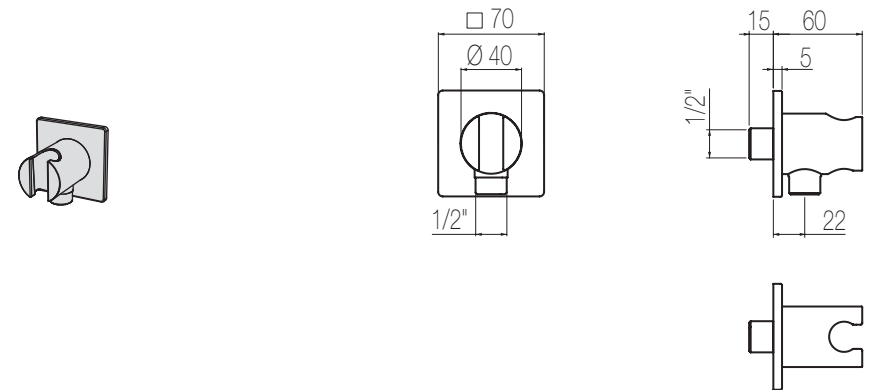
Preso acqua  
Water connection



Finiture / Finishing	Codice / Code	Prezzo / Price
Inox spazzolato / Brushed stainless steel	<b>PRE3 S</b>	€
Inox lucido / Polished stainless steel	<b>PRE3 L</b>	€

## Preso acqua con supporto

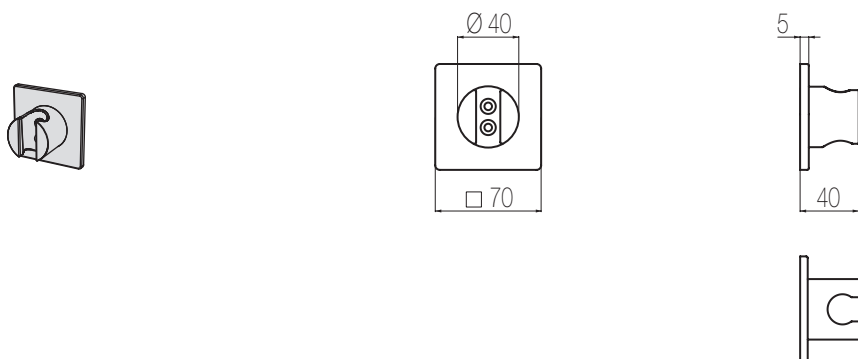
Preso acqua con supporto  
Water plug with holder



Finiture / Finishing	Codice / Code	Prezzo / Price
Inox spazzolato / Brushed stainless steel	<b>PRE4 S</b>	€
Inox lucido / Polished stainless steel	<b>PRE4 L</b>	€

## Supporto

Supporto per doccia  
Hand shower holder

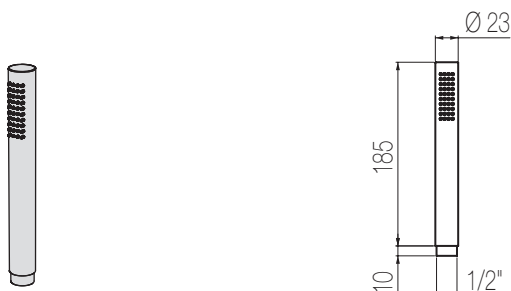


Finiture / Finishing	Codice / Code	Prezzo / Price
Inox spazzolato / Brushed stainless steel	<b>SUP2 S</b>	€
Inox lucido / Polished stainless steel	<b>SUP2 L</b>	€

# WELLNESS

## Doccia monogetto

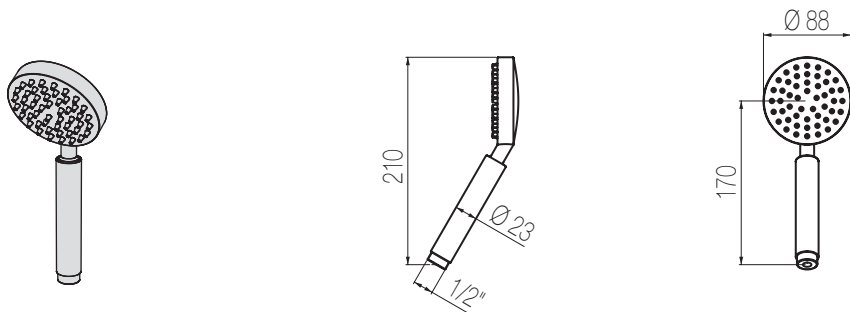
Doccia monogetto slim  
Slim single jet hand shower



Finiture / Finishing	Codice / Code	Prezzo / Price
Inox spazzolato / Brushed stainless steel	<b>DOC1 S</b>	€
Inox lucido / Polished stainless steel	<b>DOC1 L</b>	€

## Doccia monogetto

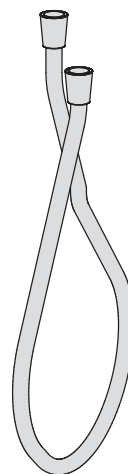
Doccia monogetto Ø 90  
Ø 90 single jet hand shower



Finiture / Finishing	Codice / Code	Prezzo / Price
Inox spazzolato / Brushed stainless steel	<b>DOC2 S</b>	€
Inox lucido / Polished stainless steel	<b>DOC2 L</b>	€

## Flessibile

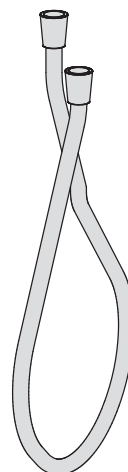
Flessibile cm 150 con conico spazzolato  
Cm 150 flexible hose with brushed conicals




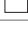


Finiture / Finishing	Codice / Code	Prezzo / Price
Inox intrecciato / Woven inox 	<b>FLEX1 X</b>	€
Nero opaco / Mat black 	<b>FLEX1 N</b>	€
Bianco opaco / Mat White 	<b>FLEX1 B</b>	€

## Flessibile

Flessibile cm 150 con conico lucido  
Cm 150 flexible hose with polished conicals



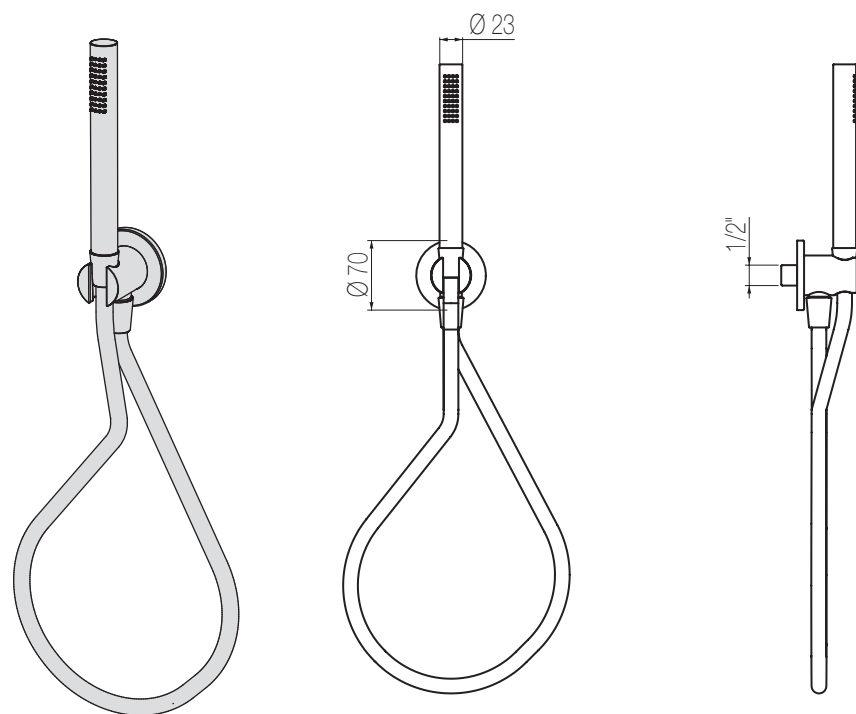
Finiture / Finishing	Codice / Code	Prezzo / Price
Inox intrecciato / Woven inox 	<b>FLEX2 X</b>	€
Silver / Silver 	<b>FLEX2 S</b>	€
Nero opaco / Mat black 	<b>FLEX2 N</b>	€
Bianco opaco / Mat White 	<b>FLEX2 B</b>	€

# WELLNESS

## Kit doccia

Kit presa acqua con supporto, doccino slim e flessibile

Kit with water connection with holder, slim hand shower and flexible hose



Finiture / Finishing

Codice / Code

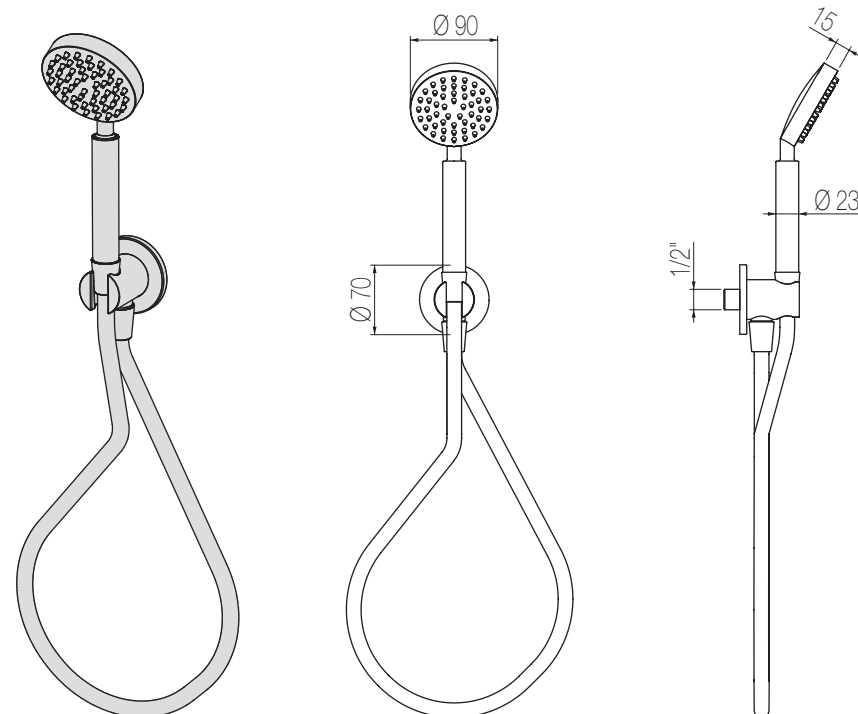
Prezzo / Price

Inox spazz. + flessibile inox intrecciato / Brushed stain. steel + woven inox flexible	<b>K1 S 1X</b>	€
Inox spazz. + flessibile bianco opaco / Brushed stain. steel + mat white flexible	<b>K1 S 1B</b>	€
Inox spazz. + flessibile nero opaco / Brushed stain. steel + mat black flexible	<b>K1 S 1N</b>	€
Inox lucido + flessibile inox intrecciato / Polished stain. steel + woven inox flexible	<b>K1 L 2X</b>	€
Inox lucido + flessibile silver / Polished stain. steel and silver flexible	<b>K1 L 2S</b>	€
Inox lucido + flessibile bianco opaco / Polished stain. steel + mat white flexible	<b>K1 L 2B</b>	€
Inox lucido + flessibile nero opaco / Polished stain. steel + mat black flexible	<b>K1 L 2N</b>	€

## Kit doccia

Kit presa acqua con supporto, doccino Ø 90 e flessibile

Kit with water connection with holder, Ø 90 hand shower and flexible hose



Finiture / Finishing

Codice / Code

Prezzo / Price

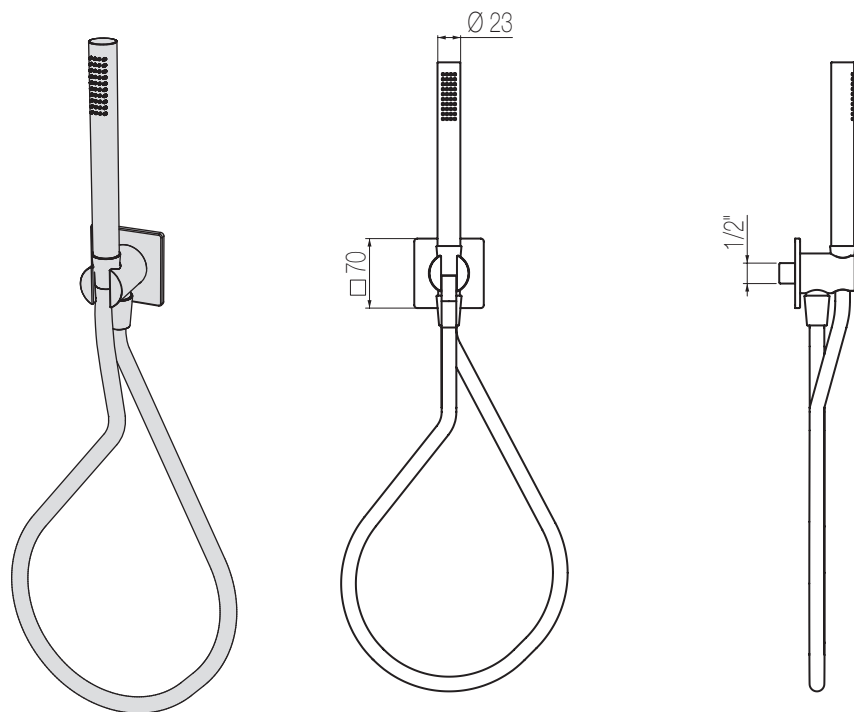
Inox spazz. + flessibile inox intrecciato / Brushed stain. steel + woven inox flexible	<b>K2 S 1X</b>	€
Inox spazz. + flessibile bianco opaco / Brushed stain. steel + mat white flexible	<b>K2 S 1B</b>	€
Inox spazz. + flessibile nero opaco / Brushed stain. steel + mat black flexible	<b>K2 S 1N</b>	€
Inox lucido + flessibile inox intrecciato / Polished stain. steel + woven inox flexible	<b>K2 L 2X</b>	€
Inox lucido + flessibile silver / Polished stain. steel and silver flexible	<b>K2 L 2S</b>	€
Inox lucido + flessibile bianco opaco / Polished stain. steel + mat white flexible	<b>K2 L 2B</b>	€
Inox lucido + flessibile nero opaco / Polished stain. steel + mat black flexible	<b>K2 L 2N</b>	€

# WELLNESS

## Kit doccia

Kit presa acqua con supporto, doccino slim e flessibile

Kit with water connection with holder, slim hand shower and flexible hose

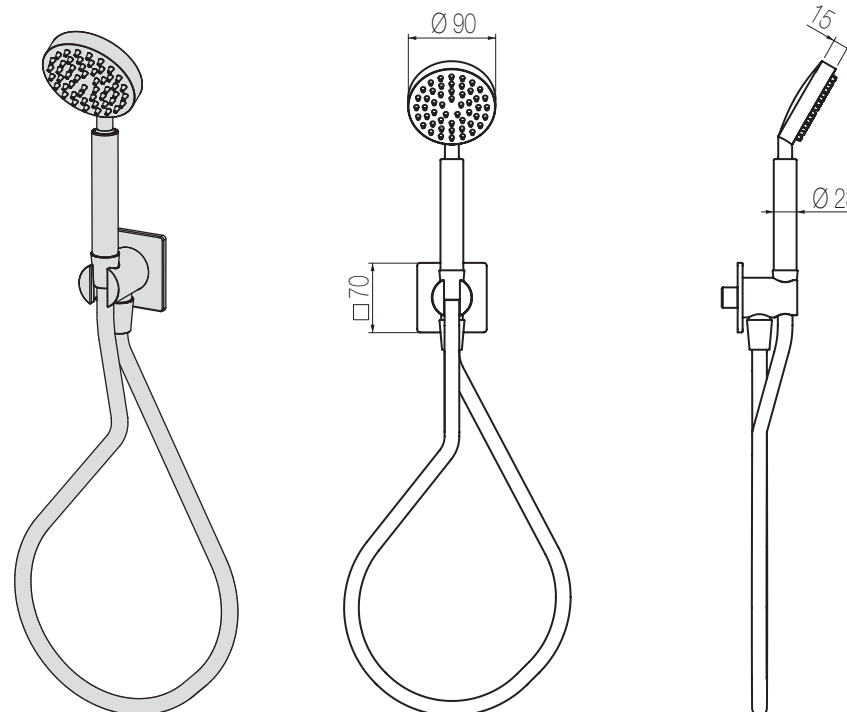


Finiture / Finishing	Codice / Code	Prezzo / Price
Inox spazz. + flessibile inox intrecciato / Brushed stain. steel + woven inox flexible	<b>K3 S 1X</b>	€
Inox spazz. + flessibile bianco opaco / Brushed stain. steel + mat white flexible	<b>K3 S 1B</b>	€
Inox spazz. + flessibile nero opaco / Brushed stain. steel + mat black flexible	<b>K3 S 1N</b>	€
Inox lucido + flessibile inox intrecciato / Polished stain. steel + woven inox flexible	<b>K3 L 2X</b>	€
Inox lucido + flessibile silver / Polished stain. steel and silver flexible	<b>K3 L 2S</b>	€
Inox lucido + flessibile bianco opaco / Polished stain. steel + mat white flexible	<b>K3 L 2B</b>	€
Inox lucido + flessibile nero opaco / Polished stain. steel + mat black flexible	<b>K3 L 2N</b>	€

## Kit doccia

Kit presa acqua con supporto, doccino Ø 90 e flessibile

Kit with water connection with holder, Ø 90 hand shower and flexible hose



Finiture / Finishing	Codice / Code	Prezzo / Price
Inox spazz. + flessibile inox intrecciato / Brushed stain. steel + woven inox flexible	<b>K4 S 1X</b>	€
Inox spazz. + flessibile bianco opaco / Brushed stain. steel + mat white flexible	<b>K4 S 1B</b>	€
Inox spazz. + flessibile nero opaco / Brushed stain. steel + mat black flexible	<b>K4 S 1N</b>	€
Inox lucido + flessibile inox intrecciato / Polished stain. steel + woven inox flexible	<b>K4 L 2X</b>	€
Inox lucido + flessibile silver / Polished stain. steel and silver flexible	<b>K4 L 2S</b>	€
Inox lucido + flessibile bianco opaco / Polished stain. steel + mat white flexible	<b>K4 L 2B</b>	€
Inox lucido + flessibile nero opaco / Polished stain. steel + mat black flexible	<b>K4 L 2N</b>	€